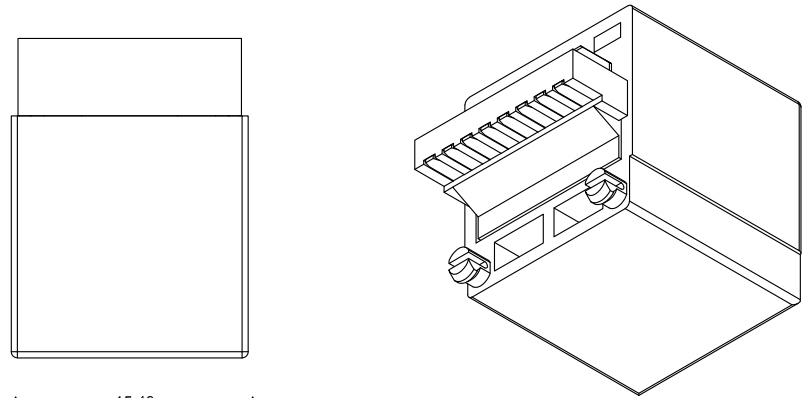


記號 MARK	ECN NO.	日期 DATE	修改 DRAW	核准 APPROVE



印章

SPECIFICATION NOTES:

ELECTRICAL:

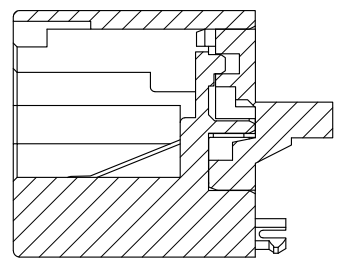
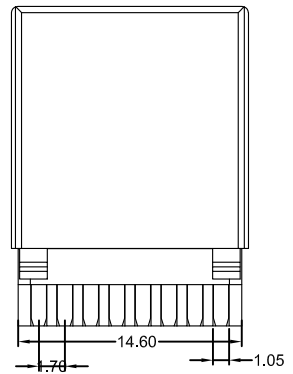
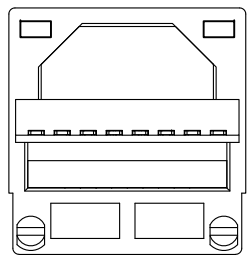
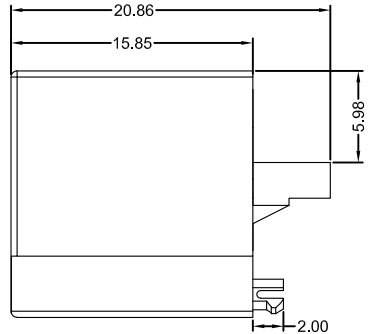
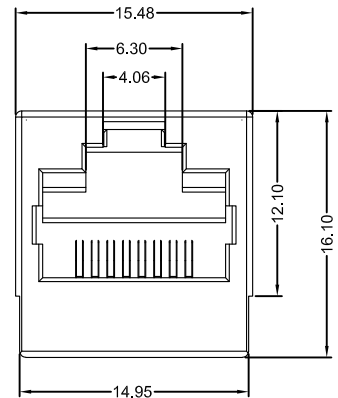
- 1.VOLTAGE RATING: 125 VAC RMS
- 2.CURRENT RATING: 1.5 AMP
- 3.CONTACT RESISTANCE: 20mΩ MAX.
- 4.INSULATION RESISTANCE: 1000MΩ MIN. AT500V DC.
- 5.DIELECTRIC STRENGTH: 1000 V AC OR 1500V DC RMS AT 0.5mA 50 Hz / 60 Hz FOR 1MINUTE

MECHANICAL:

- 1.HOUSING:PBT
- 2.CONTACT:PHOSPHOR BRONZE T=0.25MM
- 3.PLATING:GOLD PLATING AT CONTACT AREA, MATTE TIN AT TAIL 100U MIN., NICKEL 30U MIN. OVER ALL.
- 4.OPERATING LIFE:750 CYCLES MIN.
- 5.MATING/UNMATING FORCE: 30N/3.06KGf MAX.
- 6.RETENTION STRENGTH:50N OR 30N MIN.FOR 60S±5S

ENVIRONMENTAL:

- 1.STORAGE:-40°C TO +85°C RELATIVE HUMIDITY<80%
- 2.GUARANTEE PERIOD:12 MONTHS
- 3.OPERATION: -40°C TO +85°C



屏蔽壳 Shell	●黄铜 Brass	□铁 Spcc	□6u"	□1u"	□3u"	●Ni	●80u"	1
胶壳	●PBT	□LCP	后塞	□PBT	●LCP			1
金片 (PIN针) Contacts	□黄铜 Brass	●磷铜 Phosphor copper						8
	□G/F"	□1u"	●3u"	□6u"	□15u"	□30u"	□50u"	OTHER

Coorle Technology

品名规格 DESCRIPTION	RJ45 8P8C 方形 焊线式 全塑 B款			页次 SHEET	1/1
产品编号 PRODUCT NO		单位 UNIT	mm	比例 SCALE	1:1
DIMENSION IN mm(Inch) TOLERANCE UNLESS OTHERWISE SPECIFIED		制图 DRAWN	Bruce	日期 DATE	2024. 6. 3
x. x ±0.30	ANGLES	核対 CHECK	魏开江	日期 DATE	2024. 6. 3
x. xx ±0.2	X:±0°	批准 APPRO		日期 DATE	2024. 6. 3
x. xxx ±0.12	.X:±0.0°				